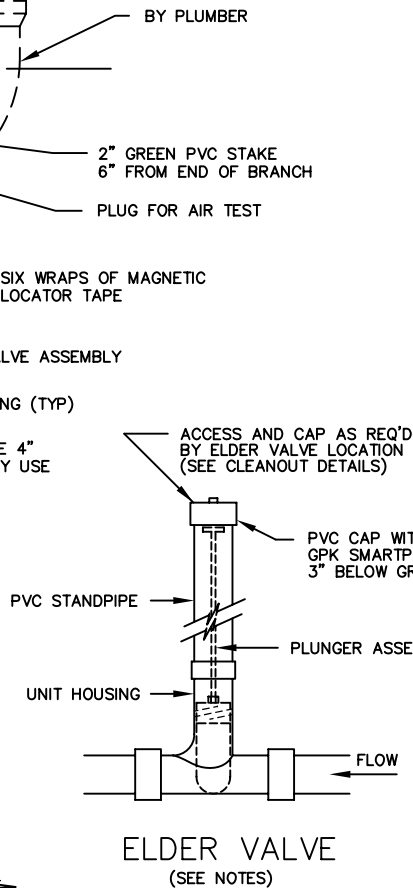


**SEWER SERVICE WITH ELDER VALVE
FOR SINGLE AND DOUBLE WYES**

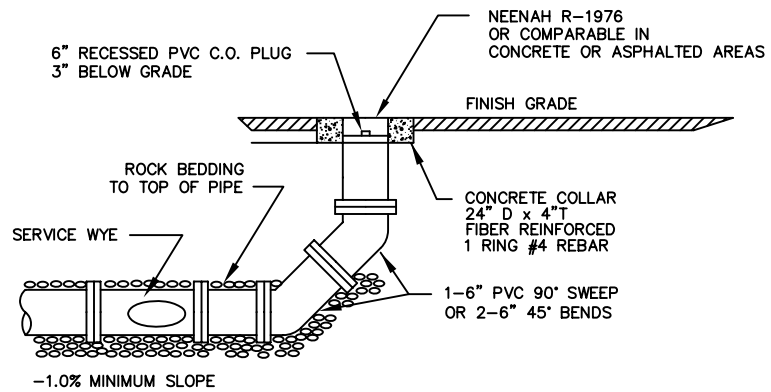
(USE ONLY FOR SEWER SERVICE WHERE CPW
DOES NOT PROVIDE THE WATER SERVICE)



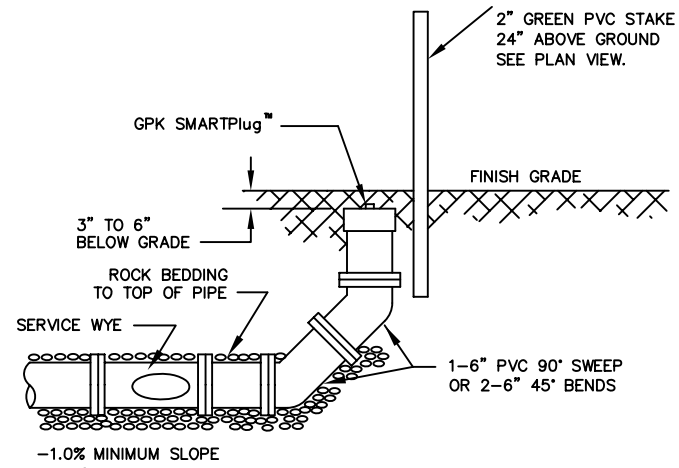
ELDER VALVE
(SEE NOTES)

NOTES:

1. THE INSTALLED ELDER VALVE ASSEMBLY CONSISTS OF THE UNIT HOUSING STANDPIPE, CAP, AND THE COMPLETE PLUNGER ASSEMBLY.
2. USE FOR RESIDENTIAL OR INDIVIDUAL COMMERCIAL SERVICES ONLY.
3. NOT FOR USE FOR HOSPITAL, SCHOOL, OR GOVERNMENT BUILDINGS.
4. USE FOR SINGLE OR DOUBLE SERVICES.
5. THE FLOW LINE AT THE ELDER VALVE SHALL BE NO GREATER THAN 5 FEET BELOW GRADE.
6. SERVICE LINE SHALL BE ON SUCH A GRADE THAT WILL PERMIT SERVICING OF PROPERTY. MIN. GRADE IS 1% MAX. GRADE IS 50%.
7. NO VERTICAL STACKING SHALL BE ALLOWED.



CLEANOUT IN PAVEMENT



CLEANOUT IN LANDSCAPED AREA

CHARLESTON WATER SYSTEM

SEWER SERVICE WITH ELDER VALVE

APPROVED BY: CWS	DATE: APR 2007	DRAWING NO. 55
SCALE: NTS	REVISED: FEB 2010	