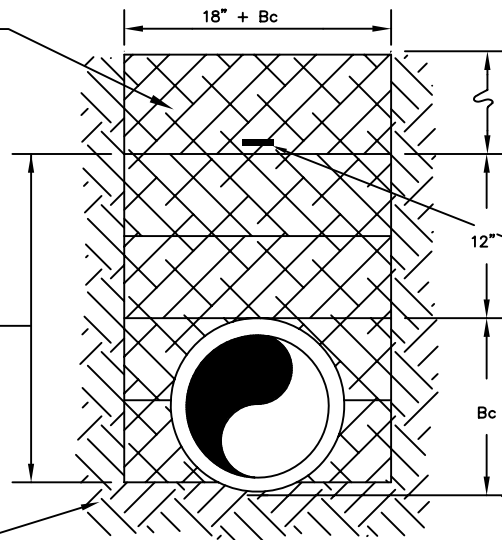


TYPICALLY CLASS III BACKFILL. USE CLASS II BACKFILL WHERE UNSUITABLE TRENCH MATERIAL IS ENCOUNTERED OR AS DIRECTED BY THE ENGINEER.

PIPE ZONE CLASS II BACKFILL 6" LIFTS

UNDISTURBED SOIL



DEPTH VARIES

12"

MAGNETICALLY DETECTABLE TAPE
12" BELOW GRADE
USE FOR ALL TYPES OF PIPE

Bc

NOTES:

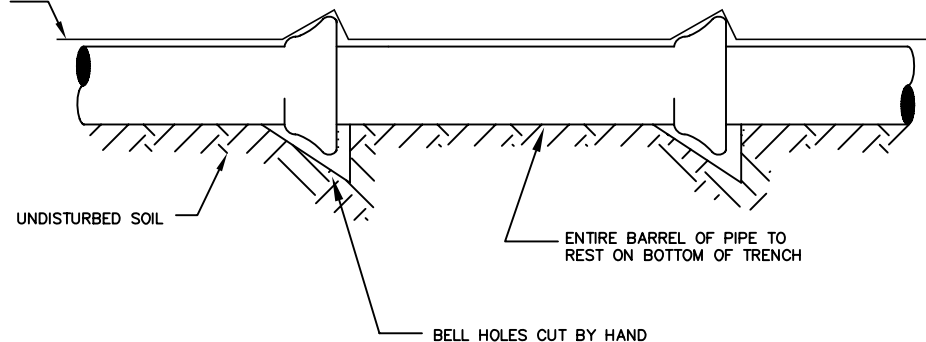
1. REFER TO HIGHWAY DEPARTMENT, CITY, OR COUNTY PERMITS FOR ADDITIONAL REQUIREMENTS.
2. REFER TO THE MAGNETIC TAPE AND TRACER WIRE DETAIL FOR ADDITIONAL INFORMATION.

TRACER WIRE TAPED TO PIPE
SEE NOTE 2.

UNDISTURBED SOIL

ENTIRE BARREL OF PIPE TO REST ON BOTTOM OF TRENCH

BELL HOLES CUT BY HAND



FORCE MAIN BEDDING

CHARLESTON WATER SYSTEM

FORCE MAIN BEDDING

APPROVED BY:

CWS

DATE:

JAN 2010

DRAWING NO.

51

SCALE:

NTS

REVISED:

FEB 2010