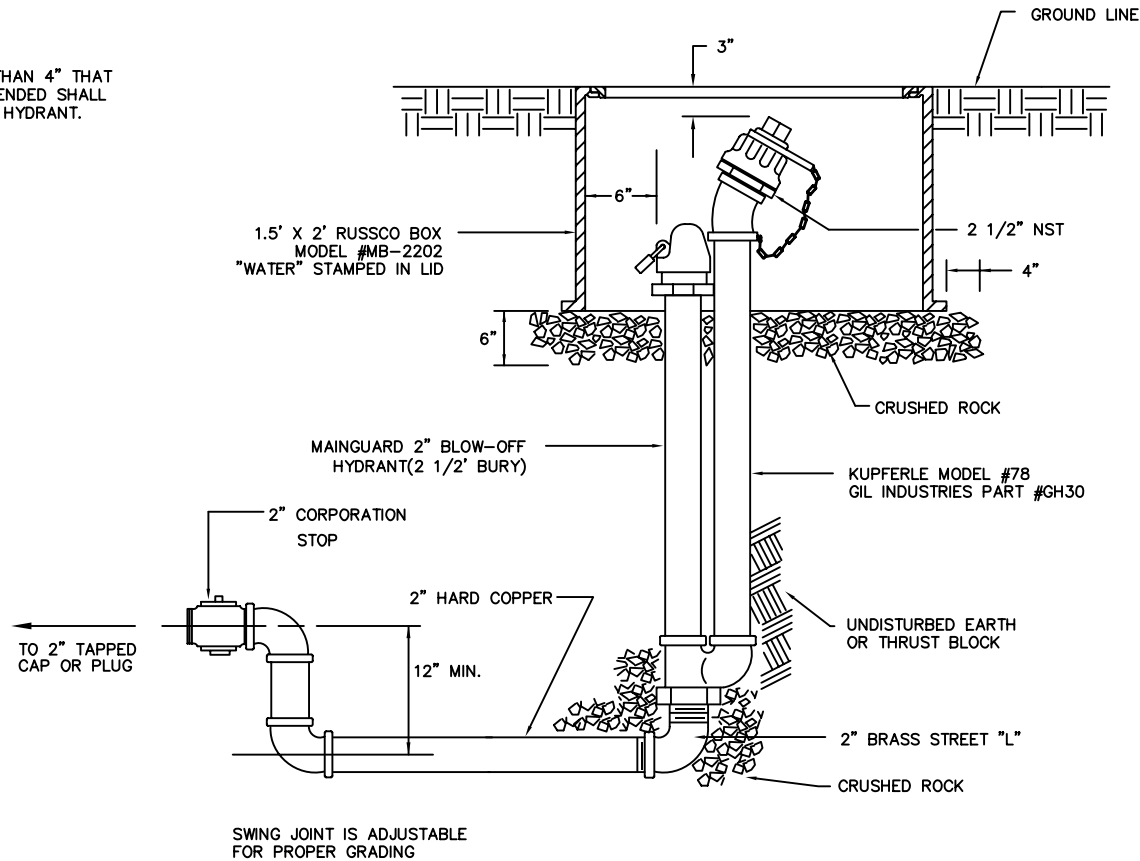


**NOTE:**

1. MAINS GREATER THAN 4" THAT WILL NOT BE EXTENDED SHALL END WITH A FIRE HYDRANT.



DEAD END BLOWOFF FOR 4" MAIN

CHARLESTON WATER SYSTEM

DEAD END BLOWOFF FOR 4" MAIN

|                     |                      |                   |
|---------------------|----------------------|-------------------|
| APPROVED BY:<br>CWS | DATE:<br>MAR 2000    | DRAWING NO.<br>14 |
| SCALE:<br>NTS       | REVISED:<br>FEB 2010 |                   |