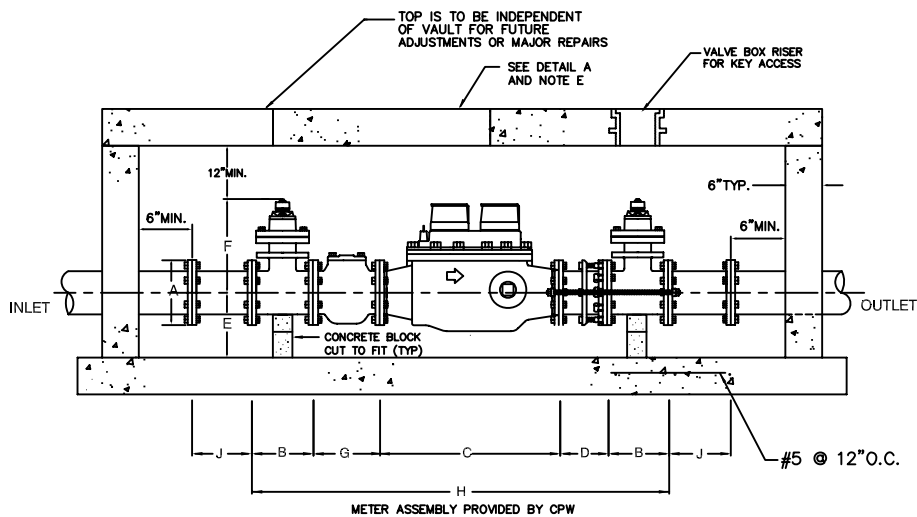
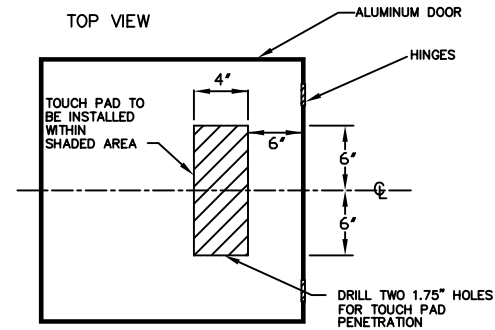


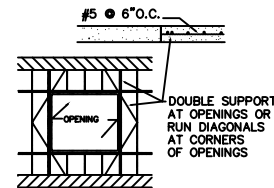
ALL-THREAD ROD TO SECURE COUPLING AFTER INSTALLATION



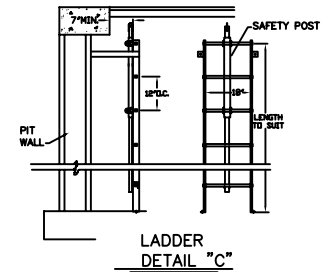
3" COMPOUND METER WITH BYPASS



TOUCH PAD LOCATION
DETAIL



METER PIT DOOR
DETAIL A



LADDER
DETAIL "C"

NOTES:

- A. DIMENSION "C" IS FOR NEPTUNE COMPOUND METERS. DIMENSIONS MAY VARY SLIGHTLY WITH TYPES OF FITTINGS USED.
- B. THE VAULT SHALL BE CONSTRUCTED WITH 4000 PSI REINFORCED CONCRETE. USE OF BLOCK MUST BE APPROVED IN WRITING BY CPW BEFORE CONSTRUCTION.
- C. IN NON-TRAFFIC AREA USE ALUMINUM LIGHT TRAFFIC (300 PSI) DOOR. IN TRAFFIC AREA USE AASHTO-H20 LOAD RATING ALUMINUM DOOR.
- D. DOORS ARE TO BE LOCATED SO METER CAN BE READ AND STRAINER CAN BE LIFTED STRAIGHT OUT. USE 3' X 3' DOOR. USE ONLY CWS APPROVED DOORS BY USF FABRICATION AND BILCO. HINGES SHALL BE LOCATED ON OUTLET SIDE OF DOOR OPENING.
- E. ALUMINUM LADDER W/SAFETY POST SHALL BE USED IN VAULTS 5' DEEP OR DEEPER. LADDER SHALL BE PLACED ON OPPOSITE SIDE OF METER FROM BYPASS.
- F. USE NON-SHRINKING HYDRAULIC CEMENT-WATER STOP AT VAULT PENETRATIONS.
- G. ANY DEVIATION FROM THESE PLANS MUST BE APPROVED BY CWS PRIOR TO INSTALLATION.
- H. VALVE AND DOOR STATUS AFTER INSTALLATION IS AS FOLLOWS:
 - VALVE BETWEEN MAIN AND VAULT FULLY OPEN
 - METER INLET VALVE FULLY CLOSED
 - BYPASS GATE VALVE FULLY CLOSED
 - METER OUTLET VALVE FULLY OPEN
 - DOOR LOCKED USING STAR-SHAPED LOCKING BOLT
- I. WALLS SHALL BE A SINGLE POUR. SEAL WITH RAM-NEK OR CONSEAL BETWEEN WALLS AND BOTTOM AND WALLS AND LID CONTINUOUS AROUND PERIMETER.
- J. NO VAULT IS TO BE INSTALLED WITHOUT PRIOR APPROVAL OF CWS WATER DISTRIBUTION ENGINEER.
- K. DOORS SHALL BE ISSUED BY CWS NEW INSTALLATION ENGINEERING REPRESENTATIVE.

DIMENSION	3"
A	7.5"
B	8"
C	17"
D	11"
E	8"
F	12.4"
G	6"
H	50"
I	8.5"
J	11"

CHARLESTON COMMISSIONERS OF PUBLIC WORKS

3" COMPOUND METER WITH BYPASS

APPROVED BY: CPW	DATE: JUL 2002	DRAWING NO. 24
SCALE: NTS	REVISED: NOV 2007	