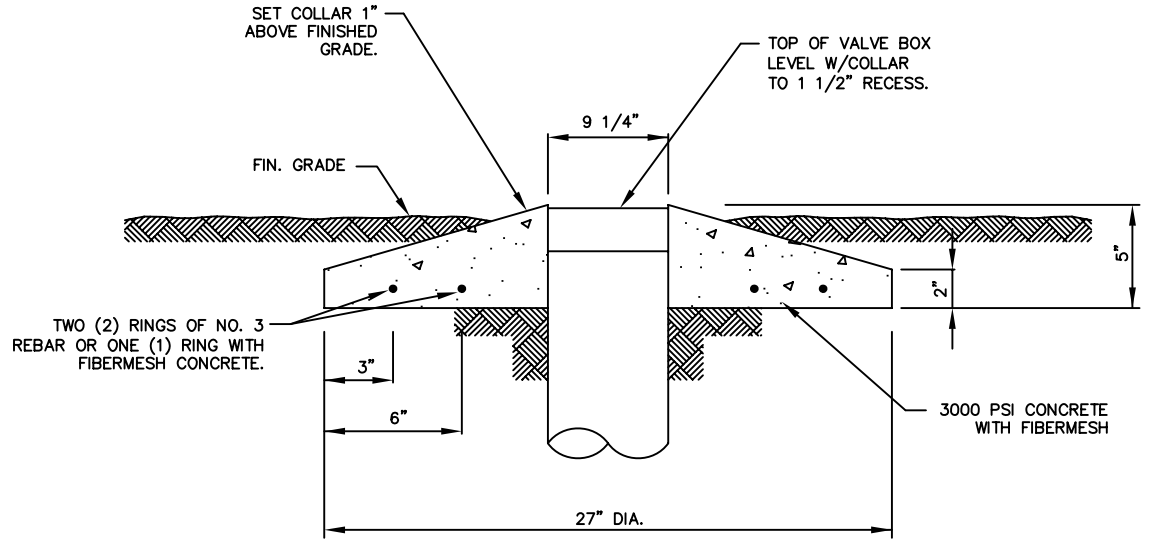


TWO (2) RINGS OF NO. 3 REBAR

PLAN



SET COLLAR 1" ABOVE FINISHED GRADE.

TOP OF VALVE BOX LEVEL W/COLLAR TO 1 1/2" RECESS.

TWO (2) RINGS OF NO. 3 REBAR OR ONE (1) RING WITH FIBERMESH CONCRETE.

3000 PSI CONCRETE WITH FIBERMESH

SECTION A-A

PRECAST CONCRETE COLLAR

CHARLESTON COMMISSIONERS OF PUBLIC WORKS

PRECAST CONCRETE COLLAR

APPROVED BY: CPW	DATE: MAR 2000	DRAWING NO. 11
SCALE: NTS	REVISED: NOV 2007	